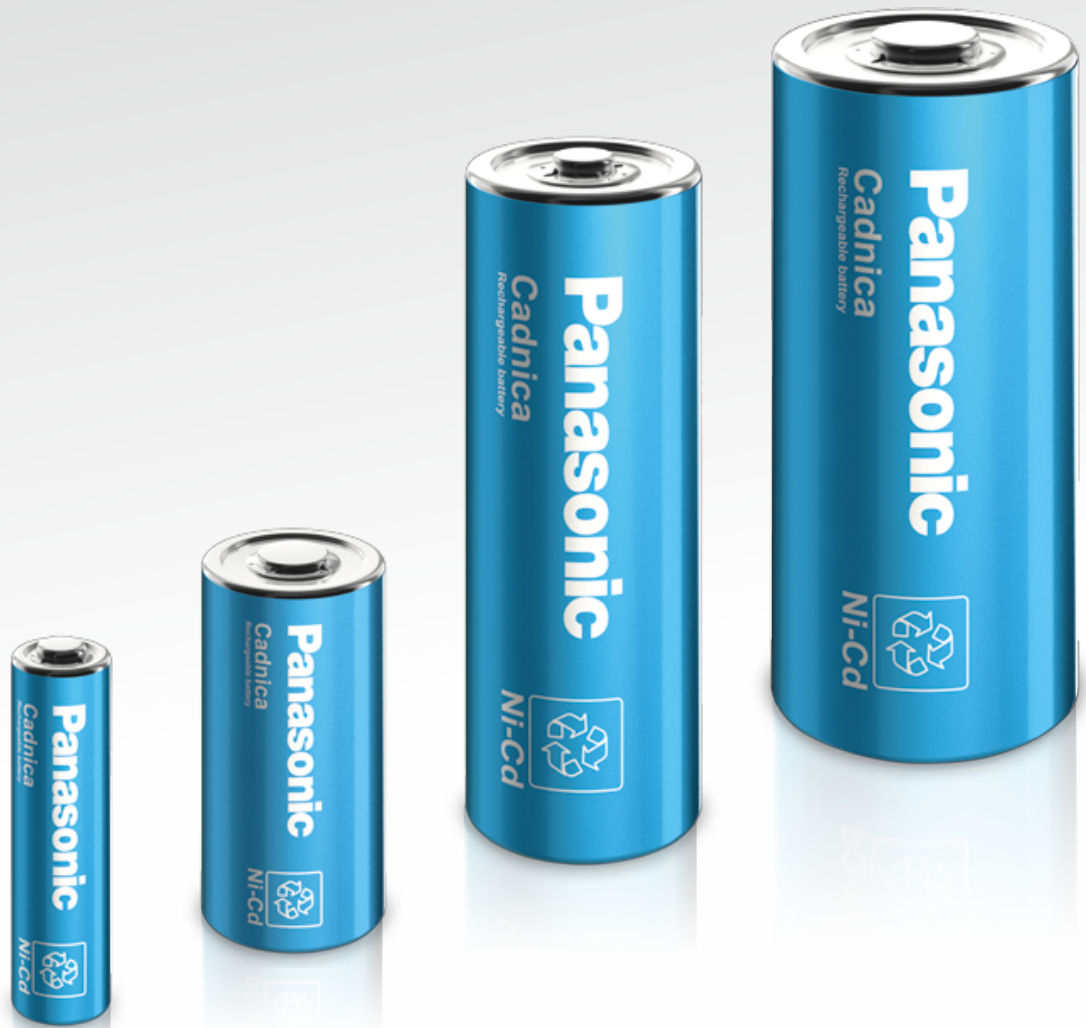


WELL SUITED TO TOUGH CONDITIONS



QUALITY SINCE 1964

LOW INTERNAL RESISTANCE

SUPERIOR RESISTANCE TO SHOCK AND VIBRATION

OUTSTANDING STORAGE CHARACTERISTICS

Panasonic Nickel-Cadmium batteries have been well known for their quality since 1964. With exceptional discharge performance and durability, Cadnica batteries are well-suited to tough conditions, including power tools and emergency lighting systems. Likewise, many medical devices are powered by these rechargeable batteries. Panasonic Nickel-Cadmium batteries feature low internal resistance, are easy to handle, and offer superior resistance to shock and vibration, and last but not least, outstanding storage characteristics.



STANDARD TYPE

These basic Nickel-Cadmium battery types are characterised by their high capacity and good performance per cost unit.

Model number	Nominal voltage (V)	Nominal capacity (mAh)	Typical capacity (mAh)	Diameter (mm)	Total height (mm)	Weight (g)
KR-7000F	1.2	7,000	7,700	33.2 +0/-0.9	91.0 +0/-1.4	224
KR-10000M	1.2	10,000	12,000	43.1 +0/-1.0	91.0 +0/-1.4	395



LONG-LIFE TYPE

These batteries exhibit superior performance over a long period in both continuous charge and cycle modes. They achieve significantly longer life than standard Cadnica batteries.

Model number	Nominal voltage (V)	Nominal capacity (mAh)	Typical capacity (mAh)	Diameter (mm)	Total height (mm)	Weight (g)
N-600AACL	1.2	600	650	14.3 +0/-0.5	48.9 +0/-1.0	22
N-600AAC	1.2	600	650	14.3 +0/-0.5	50.2 +0/-1.0	22
N-700AACL	1.2	700	750	14.3 +0/-0.5	48.9 +0/-1.0	23
N-700AAC	1.2	700	750	14.3 +0/-0.5	50.2 +0/-1.0	23



RAPID CHARGE TYPE

These Panasonic Cadnica batteries are ready-charged in just one hour. During charging, the sharp temperature rise of the batteries makes it easy to detect where to cut off the charging process.

Model number	Nominal voltage (V)	Nominal capacity (mAh)	Typical capacity (mAh)	Diameter (mm)	Total height (mm)	Weight (g)
N-1250SCRL	1.2	1,200	1,250	22.9 +0/-1.0	34.0 +0/-1.2	43
N-1300SCR	1.2	1,300	1,400	22.9 +0/-1.0	43.0 +0/-1.2	51
N-1700SCR	1.2	1,700	1,850	22.9 +0/-1.0	43.0 +0/-1.2	55
N-3000CR	1.2	3,000	3,200	26.0 +0/-0.8	50.0 +0/-1.2	86



HIGH TEMPERATURE TYPE

These high temperature batteries offer excellent charge efficiency and long service life under severe temperature conditions. Emergency lighting devices, for example, can be powered for approx. four to six years.

Model number	Nominal voltage (V)	Nominal capacity (mAh)	Typical capacity (mAh)	Diameter (mm)	Total height (mm)	Weight (g)
KR-AAH	1.2	600	650	14.3 +0/-0.5	48.9 +0/-1.0	23
KR-SCH(1.2)	1.2	1,200	1,300	22.9 +0/-1.0	43.0 +0/-1.2	47
KR-SCH(1.5)	1.2	1,500	1,600	22.9 +0/-1.0	43.0 +0/-1.2	49
KR-SCH(1.6)	1.2	1,600	1,650	22.9 +0/-1.0	43.0 +0/-1.2	49
KR-CH(2.0)	1.2	2,000	2,100	26.0 +0/-0.8	50.0 +0/-1.3	72
KR-CH(2.5)	1.2	2,500	2,600	26.0 +0/-0.8	50.0 +0/-1.3	75
KR-CH(3.0)	1.2	2,900	3,050	26.0 +0/-0.8	50.0 +0/-1.3	78
KR-FH	1.2	7,000	7,700	33.2 +0/-0.9	91.0 +0/-1.4	224
KR-MH	1.2	10,000	12,000	43.1 +0/-1.0	91.0 +0/-1.4	395
KR-5/3MH	1.2	20,000	22,000	43.1 +0/-1.0	146.1 +0/-1.5	648



HEAT-RESISTANT TYPE

These Panasonic Nickel-Cadmium batteries are designed for superior durability under severe rapid-charge conditions at temperatures as high as 70°C.

Model number	Nominal voltage (V)	Nominal capacity (mAh)	Typical capacity (mAh)	Diameter (mm)	Total height (mm)	Weight (g)
N-600AAK	1.2	600	650	14.3 +0/-0.5	50.2 +0/-1.0	22
N-1200SCK	1.2	1,200	1,350	22.9 +0/-1.0	43.0 +0/-1.2	52



HEAT-RESISTANT & HIGH POWER TYPE

This Cadnica battery series was developed by improving upon the standard Nickel-Cadmium long-life series. This superior batteries are suitable for back-up applications where both high power and heat resistance are critical.

Model number	Nominal voltage (V)	Nominal capacity (mAh)	Typical capacity (mAh)	Diameter (mm)	Total height (mm)	Weight (g)
N-1600SCB	1.2	1,550	1,700	22.9 +0/-1.0	42.9 +0/-1.2	57
N-2000CB	1.2	2,000	2,300	26.0 +0/-0.8	50.0 +0/-1.3	85



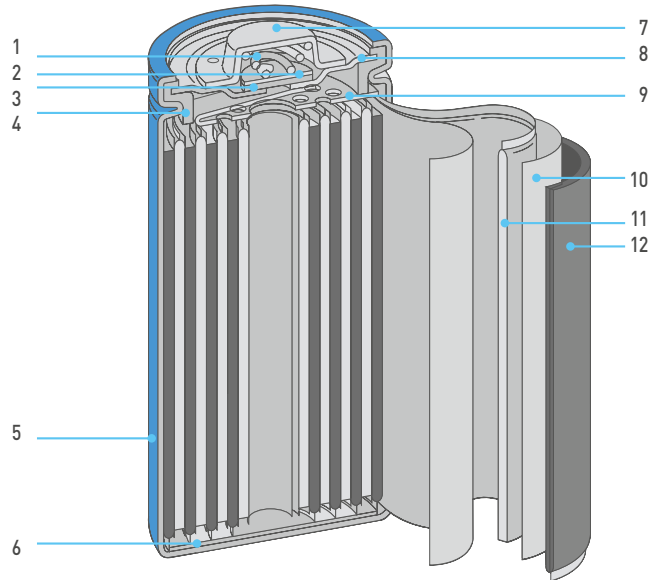
LOW TEMPERATURE TYPE

This Panasonic battery line-up is particularly designed to meet the very demanding needs from the infrastructure industry such as back-up power supplies, traffic signals, emergency lighting in cold-storage warehouses etc. Our Cadnica GT series batteries are developed to operate at a wide range of temperatures, from extreme cold temperatures of -40°C to temperatures up to 60°C (140°F).

Model number	Nominal voltage (V)	Nominal capacity (mAh)	Typical capacity (mAh)	Diameter (mm)	Total height (mm)	Weight (g)
GT-2300C	1.2	2,300	2,500	26.0 +0/-0.8	50.0 +0/-1.3	73
GT-4000D	1.2	4,000	4,300	33.2 +0/-0.9	59.5 +0/-1.5	143
GT-6500F*1	1.2	6,500	6,800	33.2 +0/-0.9	91.0 +0/-1.4	218

3D ILLUSTRATION*2

- 1 Spring
- 2 Seal plate
- 3 Rubber plate
- 4 Gasket
- 5 Casing (negative terminal)
- 6 Negative current collector
- 7 Positive pole
- 8 Cover plate
- 9 Positive current collector
- 10 Separators
- 11 Positive electrode
- 12 Negative electrode



*1 This battery model is under development.

*2 The illustration shows only one example of Nickel-Cadmium battery structure.